

CITY OF ESCALON				FOR CITY OF ESCALON USE:	
STANDARD ENCROACHMENT PERMIT APPLICATION				PERMIT #:	
PERMISSION IS REQUESTED TO ENCROACH ON CITY OF ESCALON RIGHT-OF-WAY AS FOLLOWS: (COMPLETE ALL BOXES [WRITE N/A IF NOT APPLICABLE])					
NAME OF APPLICANT OR ORGANIZATION (Print or Type):				E-MAIL ADDRESS:	
ADDRESS OF APPLICANT (Include City and Zip Code):					
PHONE NUMBER:				PROJECT VALUATION:	
PROPOSED ENCROACHMENT:					
ADDRESS (Include City and Zip Code):				PORTION OF RIGHT-OF-WAY:	
WILL THE WORK BE PERFORMED BY A LICENSED CONTRACTOR? (Circle answer): YES NO					
CONTRACTOR NAME:			CONTRACTOR LICENSE NUMBER:		
ESTIMATED START DATE:		ESTIMATED COMPLETION DATE:			
EXCAVATION:	MAX DEPTH:	AVG. DEPTH:	LENGTH:	SURFACE TYPE:	
PIPES:	TYPE:	PRODUCT:	DIAMETER:	VOLTAGE/PRESSURE:	
DESCRIPTION OF PROPOSED PROJECT (Attach 3 sets of plans, specs, calcs, etc.):					
IS WORK BEING DONE ON APPLICANT'S PROPERTY? (Circle answer) YES NO					
IF YES, BRIEFLY DESCRIBE:					
IS A COUNTY, STATE, OR OTHER AGENCY INVOLVED? (Circle answer) YES NO					
IF YES, ATTACH DOCUMENTATION AND CONDITIONS OF APPROVAL.					
MINOR WORK CLASSIFICATIONS (Circle all that apply):					
SEWER GAS ELEC CABLE CURB/GUTTER SIDEWALK DRIVEWAY OTHER:					
The undersigned agrees that all work will be done in accordance with the City of Escalon encroachment permit ordinance and supplemental conditions thereto as well as other applicable rules and regulations of the City of Escalon and that all work done hereunder will be subject to inspection and approval.					
AUTHORIZED APPLICANT SIGNATURE:		TITLE:		DATE:	
FOR CITY OF ESCALON USE ONLY:					
APPLICATION REVIEW FEE: \$		INSPECTION FEE: \$		TOTAL: \$	
FEE COLLECTED BY:		SITE VISIT BY:		REVIEW BY:	
PERMIT CONDITIONS:					
WORKER'S COMP REQUIRED:	YES	NO	<- CERTIFICATE RECEIVED:	YES	NO
LIABILITY INS. REQUIRED:	YES	NO	<- CERTIFICATE RECEIVED:	YES	NO
LIABILTY/INS WAIVERS REQ:	YES	NO	<- WAIVERS RECEIVED:	YES	NO
BUILDING PERMIT REQUIRED:	YES	NO	BUSINESS LICENSE REQUIRED:	YES	NO
SITE VISIT PERFORMED:	YES	NO	COMPACTION TESTING REQUIRED:	YES	NO
COPY SENT TO PW:	YES	NO	COPY SENT TO BUILDING:	YES	NO
SURETY BOND REQUIRED:	YES	NO	AMOUNT RECEIVED: \$		
STANDARD CONDITIONS:	YES	NO	SPECIAL CONDITIONS:		
PERMIT ISSUED BY:	DATE:		TERM (DAYS): 30 60 90		
WORK COMPLETED (SIGN):					
ENGINEERING:			BUILDING DEPARTMENT:		

CONDITIONS OF PERMIT

1. This permit is issued under and subject to all laws and ordinances of agencies governing the encroachment herein permitted, to wit:

CALIFORNIA STREETS AND HIGHWAYS CODE:

Division 1, Chapter 1
Division 2, Chapter 2, Section 942
Division 2, Chapter 4, Section 1126
Division 2, Chapter 6

2. All work covered by this permit shall be done in strict conformance with **CITY OF ESCALON MUNICIPAL CODE CHAPTER 12, TITLE 8 (12.08)**.
3. It is understood and agreed by the permittee that doing any work under this permit shall constitute acceptance of all the provisions contained herein and failure of the part of the permittee to comply with any provisions will be cause for revocation of this permit. Except as otherwise provided for public agencies and franchise holders, this permit is revocable on five days written notice.
4. All work shall be done subject to the supervision of and satisfaction of the grantor. The permittee shall at all times keep the city street or right-of-way in as neat and clean condition as possible and upon completion of the work granted herein, shall leave the city street or right-of-way in a thoroughly neat, clean and usable condition.
5. The permittee agrees by acceptance of this permit to properly maintain any encroachment structure placed by the permittee on any part of the city street or right-of-way and to immediately repair any injury to any portion of the street or right-of-way which occurs as a result of the maintenance of the said encroachment structure.
6. The permittee also agrees by acceptance of this permit to make, at its own expense, such repairs as may be deemed necessary by the City Public Works Director or his/her representative.
7. No material used for fill or backfill in the construction of the encroachment, except that which comes from trenching, shall be taken from within the city street or right-of-way.
8. All work shall be planned and carried out so that there will be as little inconvenience as possible to the traveling public. No material shall be stocked within eight feet of the edge of pavement or traveled way unless otherwise provided herein. Adequate provision shall be made for the protection of the traveling public. Barricades shall be placed with approved signs and warning lights at night and flagmen shall be employed, all as may be required by the particular work in progress.
9. The permittee, by acceptance of this permit, shall assume full responsibility for all liability for personal injury or property damage which may arise out of the work herein permitted or which may arise out of the failure of the permittee to do the work provided for under this permit. The permittee shall provide such evidence of insurance as required by the City and shall indemnify and hold harmless the City of Escalon and its employees and agents from any claims arising out of the permittee's execution of the work herein permitted.
10. Whenever necessary to secure permission from abutting property owners, such authority shall be secured by the permittee prior to starting work.
11. Control of dust will be maintained at all times.



CITY OF ESCALON

DEVELOPMENT SERVICES

2060 McHenry Avenue ▪ Escalon, California 95320 ▪ Office 209.691-7400 Fax 209.691.7439

Encroachment Permit Checklist

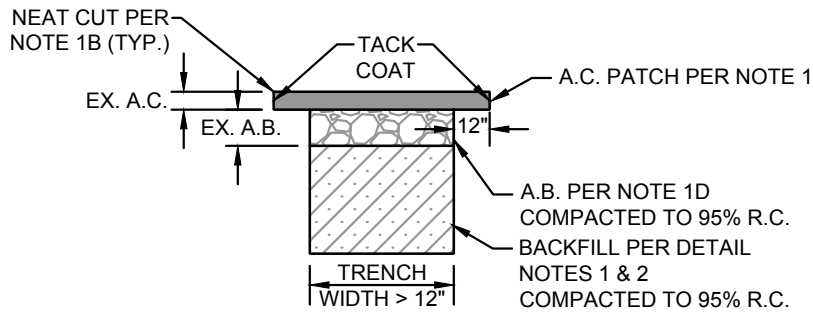
The following items need to be submitted with each encroachment permit submittal:

- Application with 3 sets of plans, specs, and calculations
- Application fee of \$64.00 due at turn in. Projects requiring additional review or inspection time will be charged a balance at time of permit issuance.
- Certificate of Liability & Property Damage Insurance OR Statement of Self Insurance listing as additional insured:
 - City of Escalon
2060 McHenry Ave
Escalon CA 95320.
 - Minimum coverages: \$500,000 injury or death to any one person
\$1 Million for injury or death arising from any one accident
\$100,000 property damage insurance
- Copy of Escalon Business Licenses for Contractor & all Subcontractors
- Material Submittals
- Traffic Control Plan
- 2 days Before work begins:** USA of work area (1-800-227-2600)

Required for Completion of Encroachment Permit

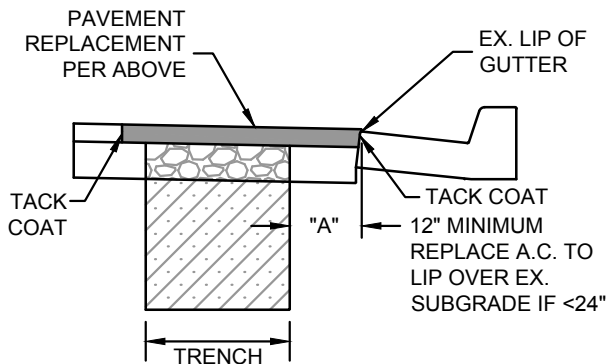
- Compaction Testing for subgrade, AB, and asphalt OR controlled density material submittal due at time of application.
- Inspection by Public Works or Engineering Department. Must be called in 48 hours in advance to 209-691-7470. Call to inquire what inspections are required on your specific project.

PAVEMENT REPLACEMENT

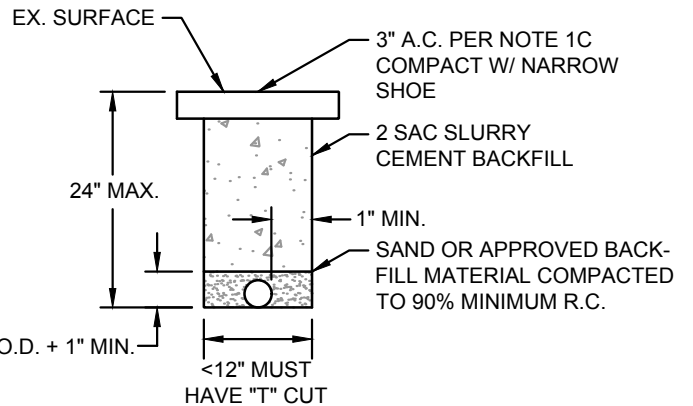


A.C. REPAIR PATCH

(STANDARD, UNLESS OTHERWISE SPECIFIED)



ADJACENT TO GUTTER



3" & UNDER CONDUIT

NOTES:

- 1) A.C. REPAIR PATCH:
 - A) TOTAL A.C. THICKNESS TO MATCH EXISTING PLUS 1", 3" MINIMUM APPLIED IN TWO (2) LIFTS.
 - B) DROP HAMMER OR OTHER ROUGH CUT ALLOWED FOR INITIAL CUT ALONG TRENCH WALL. FINAL A.C. REMOVAL TO BE SAWCUT PER STANDARD CONSTRUCTION SPECIFICATIONS.
 - C) AC REPLACEMENT PER CITY OF ESCALON STANDARD CONSTRUCTION SPECIFICATIONS.
 - D) A.B. THICKNESS PER PLANS; A.B. MAY BE REPLACED BY ADDITIONAL A.C. (50% OF REQUIRED A.B. THICKNESS).
- 2) CONTROLLED DENSITY FILL (CDF) MAY BE USED FOR BACKFILL WITH PRIOR APPROVAL OF THE CITY ENGINEER.

CITY OF ESCALON
DEPARTMENT OF PUBLIC WORKS

William F. Kull
CITY ENGINEER - WILLIAM F. KULL

TRENCH PATCH
STRUCTURAL SECTION
REQUIREMENTS

DRAWN BY: GK	DATE: 1/24/17	SCALE: NTS	ADOPTED BY THE CITY COUNCIL:
REVISIONS: NONE	SECTION: UTILITIES	DRAWING NAME:	DRAWING NO.